

c-pro 3 EXP micro+ and c-pro 3 EXP kilo+ I/O expansions

ENGLISH
1 GETTING STARTED

1.1 Important
 Read these instructions carefully before installing and using the device and follow all additional information for installation and electrical connection; keep these instructions close to the device for future consultations.

The device must be disposed according to the local legislation about the collection for electrical and electronic equipment.

2 INTRODUCTION

2.1 Introduction
 c-pro 3 EXP micro+ and c-pro 3 EXP kilo+ are two families of I/O expansions. They are available in blind version and are usable for example with a programmable controller belonging to the c-pro 3 EXP micro+ or c-pro 3 EXP kilo+ family.

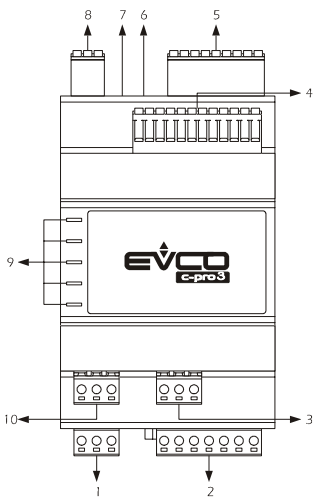
The devices have got:
 - 9 analog inputs of which 6 configurable via configuration parameter for PTC / NTC / Pt 1000 probes / 0-20 mA / 4-20 mA / 0-5 V ratiometric / 0-10 V transducers and 3 configurable via configuration parameter for PTC / NTC / Pt 1000 probes
 - 9 optoisolated digital inputs at 24 VAC / DC of which 7 at 50 / 60 Hz and 2 up to 2 KHz
 - 6 non optoisolated analog outputs of which 2 configurable via configuration parameter for PWM / 0-10 V signal, 2 configurable via configuration parameter for 0-20 mA / 4-20 mA / 0-10 V signal and 2 for 0-10 V signal

- according to the model:
 ▪ 9 digital outputs (electromechanical relays) of which seven 3 res. A @ 250 VAC SPST outputs and two 3 res. A @ 250 VAC SPDT outputs
 ▪ 9 digital outputs of which seven 3 res. A @ 250 VAC SPST electromechanical relays and two solid state relays [24 VAC/DC, 0.6 A max.]
 - 2 non optoisolated communication ports of which 1 USB OTG port [for updating] and 1 CAN port with CANbus communication protocol. The devices look in case 4 DIN modules.

Installation is in electrical panel, on DIN rail.
 For further information please consult the *Hardware manual of c-pro 3*.

3 DESCRIPTION

3.1 Description

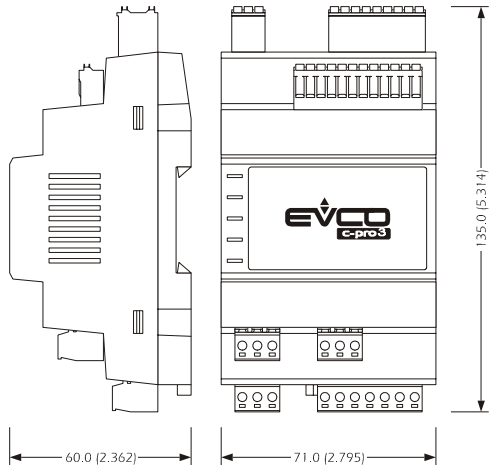


The following table shows the meaning of the parts of the device.

PART	MEANING
1	digital outputs 6 and 7
2	digital outputs 1... 5
3	digital output 9
4	analog inputs 7... 9, digital inputs 6... 9 and analog outputs 4... 6
5	analog inputs 1... 6, digital inputs 1... 5 and analog outputs 1... 3
6	USB OTG port
7	micro-switch to plug in the termination of the CAN port
8	power supply and CAN port
9	signalling LEDs
10	digital output 8

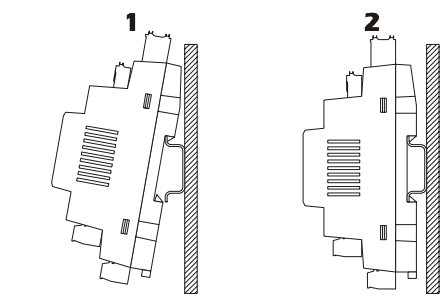
4 SIZE AND INSTALLATION

4.1 Size
 4 DIN modules; size in mm (in).

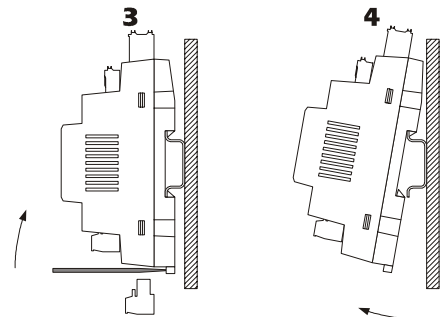


4.2 Installation

On DIN rail 35.0 x 7.5 mm (1.377 x 0.295 in) or 35.0 x 15.0 mm (1.377 x 0.590 in). To install c-pro 3 EXP micro+ and c-pro 3 EXP kilo+ operate as shown in the following drawing.



To remove c-pro 3 EXP micro+ and c-pro 3 EXP kilo+ remove possible extractable screw terminal blocks plugged at the bottom first, then operate on the DIN rail clips with a screwdriver as shown in the following drawing.



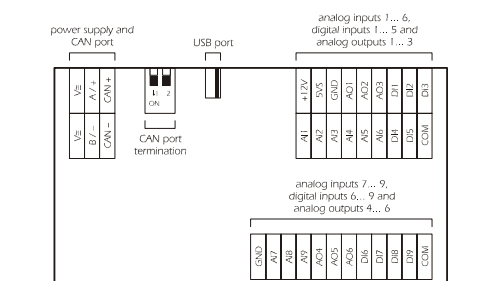
To install c-pro 3 EXP micro+ and c-pro 3 EXP kilo+ again press the DIN rail clips to the end first.

4.3 Additional information for installation

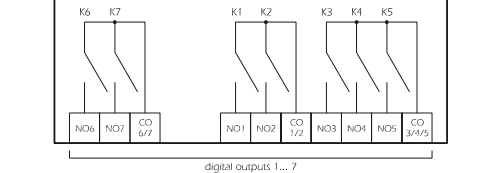
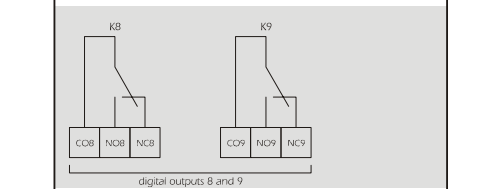
- working conditions (working temperature, humidity, etc.) must be between the limits indicated in the technical data
- do not install the device close to heating sources (heaters, hot air ducts, etc.), devices provided with big magnetos (big speakers, etc.), locations subject to direct sunlight, rain, humidity, dust, mechanical vibrations or bumps
- according to the safety legislation, the protection against electrical parts must be ensured by a correct installation of the device; the parts that ensure the protection must be installed so that you can not remove them if not by using a tool.

5 ELECTRICAL CONNECTION

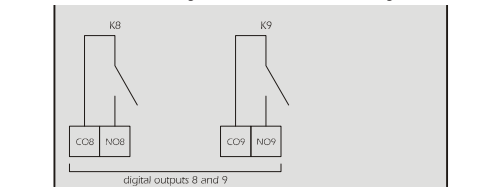
5.1 Electrical connection models with 9 electromechanical relays



EVCO Every Control Group
c-pro 3 EXP micro+ / c-pro 3 EXP kilo+



5.2 Electrical connection models with 7 electromechanical relays and 2 solid state relays



5.3 Meaning of connectors
 The following tables show the meaning of the connectors.

DIGITAL OUTPUTS

Digital outputs 6 and 7 (electromechanical relays).

TERM.	MEANING
NO6	normally open contact digital output 6
NO7	normally open contact digital output 7
CO6/7	common digital outputs 6 and 7

Digital outputs 1... 5 (electromechanical relays).

TERM.	MEANING
NO1	normally open contact digital output 1
NO2	normally open contact digital output 2
CO1/2	common digital outputs 1 and 2
NO3	normally open contact digital output 3
NO4	normally open contact digital output 4
NO5	normally open contact digital output 5
CO3/4/5	common digital outputs 3, 4 and 5

DIGITAL OUTPUTS

Digital output 8 (according to the model, electromechanical relay or solid state relay).

TERM.	MEANING
CO8	common digital output 8
NO8	normally open contact digital output 8
NC8	normally open contact digital output 8

DIGITAL OUTPUTS

Digital output 9 (according to the model, electromechanical relay or solid state relay).

TERM.	MEANING
CO9	common digital output 9
NO9	normally open contact digital output 9
NC9	normally open contact digital output 9

Analog inputs 7... 9, digital inputs 6... 9 and analog outputs 4... 6.

TERM.	MEANING
GND	common analog inputs and analog outputs
A17	analog input 7 (configurable via configuration parameter for PTC / NTC / Pt 1000 probes / 0-20 mA / 4-20 mA / 0-5 V ratiometric / 0-10 V transducers)
A18	analog input 8 (configurable via configuration parameter for PTC / NTC / Pt 1000 probes / 0-20 mA / 4-20 mA / 0-5 V ratiometric / 0-10 V transducers)
A19	analog input 9 (configurable via configuration parameter for PTC / NTC / Pt 1000 probes / 0-20 mA / 4-20 mA / 0-5 V ratiometric / 0-10 V transducers)
AO4	analog output 4 (configurable via configuration parameter for 0-20 mA / 4-20 mA / 0-10 V signal)
AO5	analog output 5 (for 0-10 V signal)
AO6	analog output 6 (for 0-10 V signal)
D16	digital input 6 (optoisolated, at 24 VAC / DC and at 50 / 60 Hz)
D17	digital input 7 (optoisolated, at 24 VAC / DC and at 50 / 60 Hz)
D18	digital input 8 (optoisolated, at 24 VAC / DC and at 50 / 60 Hz)
D19	digital input 9 (optoisolated, at 24 VAC / DC and at 50 / 60 Hz)
COM	common digital inputs

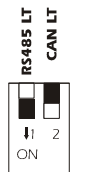
Power supply, CAN port.

TERM.	MEANING
V=+	power supply device (12 VAC in c-pro 3 EXP micro+, 24 VAC / 20... 30 VDC in c-pro 3 EXP kilo+); connect the phase
V=-	power supply device (12 VAC in c-pro 3 EXP micro+, 24 VAC / 20... 30 VDC in c-pro 3 EXP kilo+); connect the neutral
A / +	reserved
B / -	reserved
CAN +	signal + CAN port
CAN -	signal - CAN port

If the device is supplied in direct current, it will be necessary to respect the polarity of the power supply voltage.

CAN LT

Micro-switch to plug in the termination of the CAN port. Position micro-switch 2 on position ON to plug in the termination of the CAN port.



USB

USB OTG port.

Analog inputs 1... 6, digital inputs 1... 5 and analog outputs 1... 3.

TERM.	MEANING
A1	analog input 1 (configurable via configuration parameter for PTC / NTC / Pt 1000 probes / 0-20 mA / 4-20 mA / 0-5 V ratiometric / 0-10 V transducers)
A12	analog input 2 (configurable via configuration parameter for PTC / NTC / Pt 1000 probes / 0-20 mA / 4-20 mA / 0-5 V ratiometric / 0-10 V transducers)
A13	analog input 3 (configurable via configuration parameter for PTC / NTC / Pt 1000 probes / 0-20 mA / 4-20 mA / 0-5 V ratiometric / 0-10 V transducers)
A14	analog input 4 (configurable via configuration parameter for PTC / NTC / Pt 1000 probes)
A15	analog input 5 (configurable via configuration parameter for PTC / NTC / Pt 1000 probes)
A16	analog input 6 (configurable via configuration parameter for PTC / NTC / Pt 1000 probes)
D14	digital input 4 (optoisolated, at 24 VAC / DC and up to 2 KHz)
D15	digital input 5 (optoisolated, at 24 VAC / DC and at 50 / 60 Hz)
COM	common digital inputs
+12V	power supply 0-20 mA / 4-20 mA / 0-10 V transducers (12 VDC, 120 mA max.)
5VS	power supply 0-5 V ratiometric transducers (5 VDC, 60 mA max.)
GND	common analog inputs and analog outputs
AO1	analog output 1 (configurable via configuration parameter for PWM / 0-10 V signal)
AO2	analog output 2 (configurable via configuration parameter for PWM / 0-10 V signal)
AO3	analog output 3 (configurable via configuration parameter for 0-20 mA / 4-20 mA / 0-10 V signal)

D11	digital input 1 (optoisolated, at 24 VAC / DC and at 50 / 60 Hz)
D12	digital input 2 (optoisolated, at 24 VAC / DC and at 50 / 60 Hz)
D13	digital input 3 (optoisolated, at 24 VAC / DC and up to 2 KHz)

5.4 Additional information for electrical connection

- do not operate on the terminal blocks with electrical or pneumatic screwdrivers
- if the device has been moved from a cold location to a warm one, the humidity could condense on the inside; wait about an hour before supplying it
- test the working power supply voltage, working electrical frequency and working electrical power of the device; they must correspond with the local power supply
- connect the device to the other devices using a twisted pair
- disconnect the local power supply before servicing the device
- do not use the device as safety device
- for repairs and information on the device please contact EVCO sales network.

6 SIGNALS

6.1 LEDs at the front of the device

LED	MEANING
ON	LED power supply if it is lit, the device will be supplied if it is out, the device will not be supplied
RUN	LED run if it is lit, the application software will be compiled and running in release modality
▲	LED system alarm if it is lit, an alarm system not resettable via software will be running if it flashes slowly, a system alarm with automatic reset will be running if it flashes quickly, a system alarm with manual reset will be running if it is out, no alarm system will be running
CAN	LED CANbus communication if it is lit, the device will be configured to communicate via CANbus with another device but the CAN communication will not have been set up if it flashes slowly, the CANbus communication will have been set up but it will not be completely correct if it flashes quickly, the CANbus communication will have been set up and will be correct if it is out, no CANbus communication will be running
L1	LED not used

7 TECHNICAL DATA

7.1 Technical data

Purpose of control: I/O expansion to be used with programmable controller for applications in refrigeration, ventilation and air conditioning.

Construction of control: electronic control device to be incorporated.

Box: self-extinguishing grey.
Size: 71.0 x 135.0 x 60.0 mm (2.795 x 5.314 x 2.362 in); 4 DIN modules.

Size: refers to the device with all the connectors properly plugged.
Installation: on DIN rail 35.0 x 7.5 mm (1.377 x 0.295 in) or 35.0 x 15.0 mm (1.377 x 0.590 in).

Index of protection: IP20; IP40 the front.
Connections: male Micro-Fit connectors (power supply, inputs, analog outputs and CAN port) in c-pro 3 EXP micro+, male extractable spring terminal blocks pitch 3.5 mm (0.137 in); power supply, inputs, analog outputs and CAN port) for conductors up to 1.5 mm² (0.0028 in²) in c-pro 3 EXP kilo+, male extractable screw terminal blocks pitch 5.0 mm (0.196 in; digital outputs) for conductors up to 2.5 mm² (0.0038 in²), "A" type USB connector (USB port).

The maximum lengths of the connecting cables are the followings:
 ▪ power supply device: 100 m (328 ft)
 ▪ analog inputs: 100 m (328 ft); use a shielded cable only in case of lengths over or equal to 10 m (32.8 ft) for:
 - analog inputs 7, 8 and 9
 - the remaining inputs if configured for PTC or Pt 1000 probes

The shield must be connected to ground in only one point.

- power supply transducers: 100 m (328 ft)
- digital inputs: 100 m (328 ft)
- PWM analog output: 1 m (3.280 ft)
- 0-20 mA / 4-20 mA / 0-10 V analog outputs: 100 m (328 ft)
- digital outputs (electromechanical relays): 100 m (328 ft)
- digital outputs (solid state relays): 100 m (328 ft)

- CAN port:
 - 1,000 m (3,280 ft) with baud rate 20,000 baud
 - 500 m (1,640 ft) with baud rate 50,000 baud
 - 250 m (820 ft) with baud rate 125,000 baud
 - 50 m (164 ft) with baud rate 500,000 baud.

One suggests using the connecting kit CJAV18 (female extractable screw terminal blocks pitch 5.0 mm, 0.196 in; to order separately), the connecting kit CJAV19 (wired female Micro-Fit connectors for c-pro 3 EXP micro+, to order separately) and the connecting kit CJAV20 (female extractable spring terminal blocks pitch 3.5 mm (0.137 in) for c-pro 3 EXP kilo+, to order separately).

Working temperature: from -20 to 60 °C (-4 to 140 °F).
Working humidity: from 5 to 95% of relative humidity without condensate.

Pollution situation: 2.
Power supply: 12 VAC, 50 / 60 Hz, 20 VA max., supplied from a class 2 circuit in c-pro 3 EXP micro+; 24 VAC, 50 / 60 Hz, 35 VA max. or 20... 30 VDC, 12 W max, supplied from a class 2 circuit in c-pro 3 EXP kilo+.

Protect the power supply with a fuse rated 2A-T 250 V.
Overvoltage category: III.
Analog inputs: 9 analog inputs of which 6 configurable via configuration parameter for PTC / NTC / Pt 1000 probes / 0-20 mA / 4-20 mA / 0-5 V ratiometric / 0-10 V transducers and 3 configurable via configuration parameter for PTC / NTC / Pt 1000 probes.

Power supply 0-5 V ratiometric transducers: 5 VDC, 60 mA max.
 Power supply 0-20 mA / 4-20 mA / 0-10 V transducers: 12 VDC, 120 mA max.

The sum of the maximum current powerable by the two power supply circuits is 120 mA.
Working range: from -50 to 150 °C (-58 to 302 °F) for PTC probe, from -50 to 120 °C (-58 to 248 °F) for NTC probe, from -100 to 400 °C (-148 to 752 °F) for Pt 1000 probe.

Digital inputs: 9 optoisolated digital inputs at 24 VAC / DC of which 7 at 50 / 60 Hz and 2 up to 2 KHz.
Resolution: 0.1 °C for PTC / NTC probes, 0.1 °C for Pt 1000 probes, 0.01 mA for 0-20 mA / 4-20 mA transducers, 0.01 V for 0-10 V transducers.

Analog outputs: 6 non optoisolated outputs:
 ▪ 2 outputs configurable via configuration parameter for PWM / 0-10 V signal
 ▪ 2 outputs configurable via configuration parameter for 0-20 mA / 4-20 mA / 0-10 V signal
 ▪ 2 outputs for 0-10 V signal.

Digital outputs: according to the model:
 ▪ 9 outputs (electromechanical relays) of which seven 3 res. A @ 250 VAC SPST outputs (K1... K7) and two 3 res. A @ 250 VAC SPDT outputs (K8 and K9)
 ▪ 9 outputs of which seven 3 res. A @ 250 VAC SPST electromechanical relays (K1... K7) and two 24 VAC/DC, 0.6 A max. solid state relays (K8 and K9).

Type of actions and additional features: 1B.
Communication ports: 2 non optoisolated ports:
 ▪ 1 USB OTG port (for programming and debugging)
 ▪ 1 CAN port with CANbus communication protocol.

ITALIANO
1 IMPORTANTE
1.1 Importante
 Leggere attentamente queste istruzioni prima dell'installazione e prima dell'uso e seguire tutte le avvertenze per l'installazione e per il collegamento elettrico; conservare queste istruzioni con il dispositivo per consultazioni future.

Il dispositivo deve essere smaltito secondo le normative locali in merito alla raccolta delle apparecchiature elettriche ed elettroniche.

2 INTRODUZIONE

2.1 Introduzione
 c-pro 3 EXP micro+ e c-pro 3 EXP kilo+ sono due famiglie di espansioni di I/O.

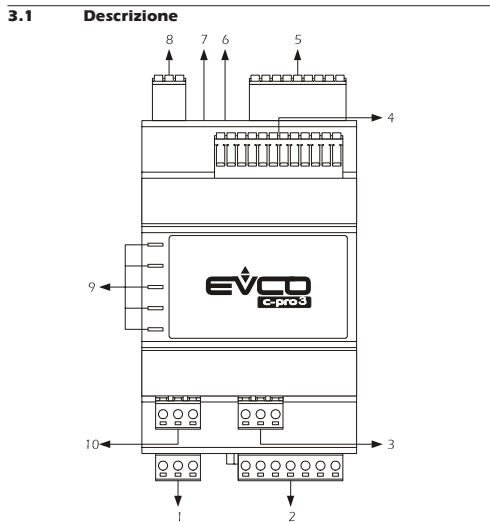
Le famiglie sono disponibili in versione cieca e sono utilizzabili, per esempio, con i controllori programmati appartenenti alle famiglie c-pro 3 micro+ e c-pro 3 kilo+.

I dispositivi dispongono di:
 - 9 ingressi analogici di cui 6 configurabili via parametro di configurazione per sonde PTC / NTC / Pt 1000 / trasduttori 0-20 mA / 4-20 mA / 0-5 V ratiometrici / 0-10 V e 3 configurabili via parametro di configurazione per sonde PTC / NTC / Pt 1000
 - 9 ingressi digitali optoisolati a 24 VAC / DC di cui 7 a 50 / 60 Hz e 2 fino a 2 KHz
 - 6 uscite analogiche non optoisolate di cui 2 configurabili via parametro di configurazione per segnale di tipo PWM / 0-10 V, 2 configurabili via parametro di configurazione per segnale di tipo 0-20 mA / 4-20 mA / 0-10 V e 2 per segnale di tipo 0-10 V
 - a seconda del modello:

- 9 uscite digitali (relè elettromeccanici) di cui 7 da 3 A res. @ 250 VAC di tipo SPST e 2 da 3 A res. @ 250 VAC di tipo SPDT
- 9 uscite digitali di cui 7 relè elettromeccanici da 3 A res. @ 250 VAC di tipo SPST e 2 relè allo stato solido [24 VAC/DC, 0.6 A max.]
- 2 porte di comunicazione non optoisolate di cui 1 di tipo USB OTG (per aggiornamenti) e 1 di tipo CAN con protocollo di comunicazione CANbus.

I dispositivi si presentano in contenitore 4 moduli DIN.
 L'installazione è prevista in un quadro elettrico, su guida DIN.
 Per ulteriori informazioni consultare il Manuale hardware di c-pro 3.

3 DESCRIZIONE

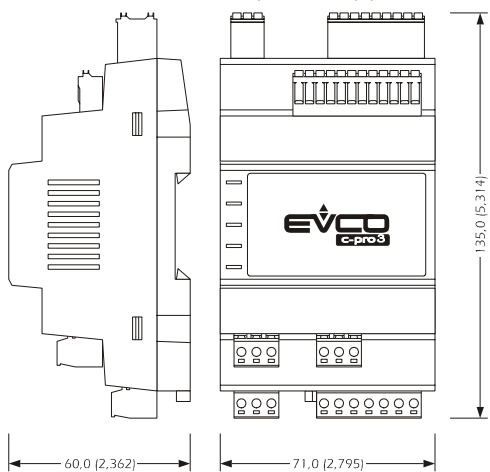


PARTE	SIGNIFICATO
1	uscite digitali 6 e 7
2	uscite digitali 1... 5
3	uscita digitale 9
4	ingressi analogici 7... 9, ingressi digitali 6... 9 e uscite analogiche 4... 6
5	ingressi analogici 1... 6, ingressi digitali 1... 5 e uscite analogiche 1... 3
6	porta USB OTG
7	micro-switch inserire la terminazione della porta CAN
8	alimentazione e porta CAN
9	LED di segnalazione
10	uscita digitale 8

4 DIMENSIONI E INSTALLAZIONE

4.1 Dimensioni

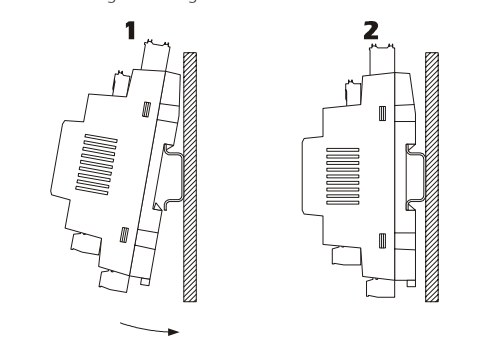
4 moduli DIN; le dimensioni sono espresse in mm (in).



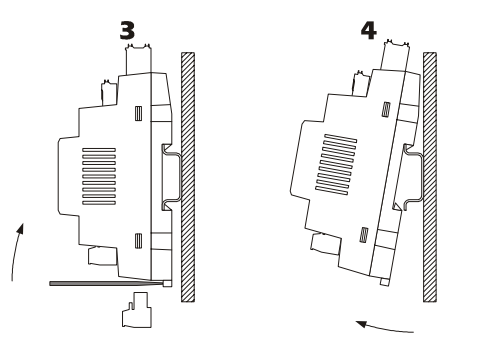
4.2 Installazione

Su guida DIN 35,0 x 7,5 mm (1,377 x 0,295 in) o 35,0 x 15,0 mm (1,377 x 0,590 in).

Per installare **c-pro 3 EXP micro+** e **c-pro 3 EXP kilo+** operare come indicato nel seguente disegno.



Per rimuovere **c-pro 3 EXP micro+** e **c-pro 3 EXP kilo+** rimuovere prima eventuali morsettiere a vite estraibili inserite nella parte bassa, quindi operare sulla clip della guida DIN con un cacciavite come indicato nel seguente disegno.



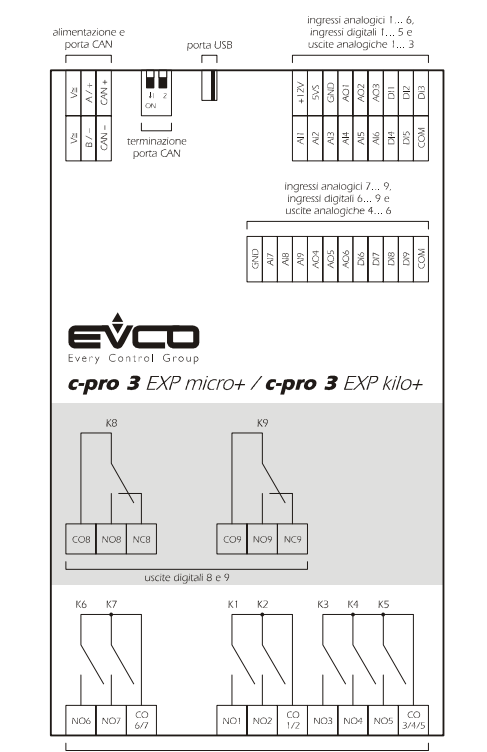
Per installare nuovamente **c-pro 3 EXP micro+** e **c-pro 3 EXP kilo+** premere prima a fondo la clip della guida DIN.

4.3 Avvertenze per l'installazione

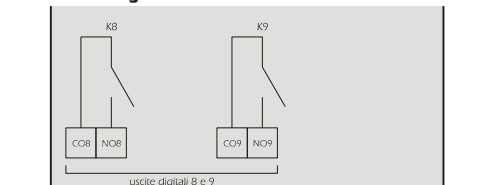
- accertarsi che le condizioni di lavoro (temperatura di impiego, umidità, ecc.) rientrino nei limiti indicati nei dati tecnici
- non installare il dispositivo in prossimità di fonti di calore (resistenze, condotti dell'aria calda, ecc.), di apparecchi con forti magneti (grossi diffusori, ecc.), di luoghi soggetti alla luce solare diretta, pioggia, umidità, polvere eccessiva, vibrazioni meccaniche o scosse
- in conformità alle normative sulla sicurezza, la protezione contro eventuali contatti con le parti elettriche deve essere assicurata mediante una corretta installazione del dispositivo; tutte le parti che assicurano la protezione devono essere fissate in modo tale da non poter essere rimosse senza l'aiuto di un utensile.

5 COLLEGAMENTO ELETTRICO

5.1 Collegamento elettrico modelli con 9 relè elettromeccanici



5.2 Collegamento elettrico modelli con 7 relè



5.3 Significato dei connettori

Le seguenti tabelle illustrano il significato dei connettori.

MORS.	SIGNIFICATO
NO6	contatto normalmente aperto uscita digitale 6
NO7	contatto normalmente aperto uscita digitale 7
CO6/7	comune uscite digitali 6 e 7

MORS.	SIGNIFICATO
NO1	contatto normalmente aperto uscita digitale 1
NO2	contatto normalmente aperto uscita digitale 2
CO1/2	comune uscite digitali 1 e 2
NO3	contatto normalmente aperto uscita digitale 3

NO4	contatto normalmente aperto uscita digitale 4
NO5	contatto normalmente aperto uscita digitale 5
CO3/4/5	comune uscite digitali 3, 4 e 5

DIGITAL OUTPUTS

Uscita digitale 8 (a seconda del modello, relè elettromeccanico o relè allo stato solido)

MORS.	SIGNIFICATO
CO8	comune uscita digitale 8
NO8	contatto normalmente aperto uscita digitale 8
NC8	contatto normalmente chiuso uscita digitale 8

DIGITAL OUTPUTS

Uscita digitale 9 (a seconda del modello, relè elettromeccanico o relè allo stato solido)

MORS.	SIGNIFICATO
CO9	comune uscita digitale 9
NO9	contatto normalmente aperto uscita digitale 9
NC9	contatto normalmente chiuso uscita digitale 9

Ingressi analogici 7... 9, ingressi digitali 6... 9 e uscite analogiche 4... 6.

MORS.	SIGNIFICATO
GND	comune ingressi analogici e uscite analogiche
AI7	ingresso analogico 7 (configurabile via parametro di configurazione per sonde PTC / NTC / Pt 1000 / trasduttori 0-20 mA / 4-20 mA / 0-5 V raziometrici / 0-10 V)
AI8	ingresso analogico 8 (configurabile via parametro di configurazione per sonde PTC / NTC / Pt 1000 / trasduttori 0-20 mA / 4-20 mA / 0-5 V raziometrici / 0-10 V)
AI9	ingresso analogico 9 (configurabile via parametro di configurazione per sonde PTC / NTC / Pt 1000 / trasduttori 0-20 mA / 4-20 mA / 0-5 V raziometrici / 0-10 V)
AO4	uscita analogica 4 (configurabile via parametro di configurazione per segnale di tipo 0-20 mA / 4-20 mA / 0-10 V)
AO5	uscita analogica 5 (per segnale di tipo 0-10 V)
AO6	uscita analogica 6 (per segnale di tipo 0-10 V)
DI6	ingresso digitale 6 (optoisolati, a 24 VAC / DC e a 50 / 60 Hz)
DI7	ingresso digitale 7 (optoisolati, a 24 VAC / DC e a 50 / 60 Hz)
DI8	ingresso digitale 8 (optoisolati, a 24 VAC / DC e a 50 / 60 Hz)
DI9	ingresso digitale 9 (optoisolati, a 24 VAC / DC e a 50 / 60 Hz)
COM	comune ingressi digitali

Alimentazione, porta CAN.

MORS.	SIGNIFICATO
V=+	alimentazione dispositivo (12 VAC in c-pro 3 EXP micro+ , 24 VAC / 20... 30 VDC in c-pro 3 EXP kilo+); collegare il neutro
V=-	alimentazione dispositivo (12 VAC in c-pro 3 EXP micro+ , 24 VAC / 20... 30 VDC in c-pro 3 EXP kilo+); collegare la fase
A / +	riservato
B / -	riservato
CAN +	segnale + porta CAN
CAN -	segnale - porta CAN

Se il dispositivo viene alimentato in corrente continua, sarà necessario rispettare la polarità della tensione di alimentazione.

CAN LT

Micro-switch per inserire la terminazione della porta CAN. Posizionare il microinterruttore 2 nella posizione ON per inserire la terminazione della porta CAN.



USB

Porta USB OTG.

Ingressi analogici 1... 6, ingressi digitali 1... 5 e uscite analogiche 1... 3.

MORS.	SIGNIFICATO
AI1	ingresso analogico 1 (configurabile via parametro di configurazione per sonde PTC / NTC / Pt 1000 / trasduttori 0-20 mA / 4-20 mA / 0-5 V raziometrici / 0-10 V)
AI2	ingresso analogico 2 (configurabile via parametro di configurazione per sonde PTC / NTC / Pt 1000 / trasduttori 0-20 mA / 4-20 mA / 0-5 V raziometrici / 0-10 V)

AI3	ingresso analogico 3 (configurabile via parametro di configurazione per sonde PTC / NTC / Pt 1000 / trasduttori 0-20 mA / 4-20 mA / 0-5 V raziometrici / 0-10 V)
AI4	ingresso analogico 4 (configurabile via parametro di configurazione per sonde PTC / NTC / Pt 1000)
AI5	ingresso analogico 5 (configurabile via parametro di configurazione per sonde PTC / NTC / Pt 1000)
AI6	ingresso analogico 6 (configurabile via parametro di configurazione per sonde PTC / NTC / Pt 1000)
DI4	ingresso digitale 4 (optoisolati, a 24 VAC / DC e fino a 2 KHz)
DI5	ingresso digitale 5 (optoisolati, a 24 VAC / DC e a 50 / 60 Hz)
COM	comune ingressi digitali
+12V	alimentazione trasduttori 0-20 mA / 4-20 mA / 0-10 V (12 VDC, 120 mA max.)
5VS	alimentazione trasduttori raziometrici 0-5 V (5 VDC, 60 mA max.)
GND	comune ingressi analogici e uscite analogiche
AO1	uscita analogica 1 (configurabile via parametro di configurazione per segnale di tipo PWM / 0-10 V)
AO2	uscita analogica 2 (configurabile via parametro di configurazione per segnale di tipo PWM / 0-10 V)
AO3	uscita analogica 3 (configurabile via parametro di configurazione per segnale di tipo 0-20 mA / 4-20 mA / 0-10 V)
DI1	ingresso digitale 1 (optoisolati, a 24 VAC / DC e a 50 / 60 Hz)
DI2	ingresso digitale 2 (optoisolati, a 24 VAC / DC e a 50 / 60 Hz)
DI3	ingresso digitale 3 (optoisolati, a 24 VAC / DC e fino a 2 KHz)

5.4 Avvertenze per il collegamento elettrico

- non operare sulle morsettiere utilizzando avvitatori elettrici o pneumatici
- se il dispositivo è stato portato da un luogo freddo a uno caldo, l'umidità potrebbe condensare all'interno; attendere circa un'ora prima di alimentarlo
- accertarsi che la tensione di alimentazione, la frequenza e la potenza elettrica operativa del dispositivo corrispondano a quelle dell'alimentazione locale
- collegare il dispositivo agli altri dispositivi utilizzando un doppino twistato
- disconnettere l'alimentazione prima di procedere con qualunque tipo di manutenzione
- non utilizzare il dispositivo come dispositivo di sicurezza
- per le riparazioni e per informazioni riguardanti il dispositivo rivolgersi alla rete di vendita EVCO.

6 SEGNALAZIONI

6.1 LED sul frontale del dispositivo

LED	SIGNIFICATO
ON	LED alimentazione se è acceso, il dispositivo sarà alimentato se è spento, il dispositivo non sarà alimentato
RUN	LED run se è acceso, il software applicativo sarà compilato e in esecuzione in modalità release
▲	LED allarme di sistema se è acceso, sarà in corso un allarme di sistema non resettabile via software se lampeggia lentamente, sarà in corso un allarme di sistema con reset automatico se lampeggia velocemente, sarà in corso un allarme di sistema con reset manuale se è spento, non sarà in corso alcun allarme di sistema
CAN	LED comunicazione CANbus se è acceso, il dispositivo sarà configurato per comunicare via CANbus con un altro dispositivo ma la comunicazione non sarà stata stabilita se lampeggia lentamente, la comunicazione CANbus sarà stata stabilita ma questa non sarà del tutto corretta se lampeggia velocemente, la comunicazione CANbus sarà stata stabilita e sarà corretta se è spento, non sarà in corso alcuna comunicazione CANbus
L1	LED non utilizzato

7 DATI TECNICI

7.1 Dati tecnici

Scopo del dispositivo: espansione di I/O utilizzabile con controllore programmabile per applicazioni nella refrigerazione, nella ventilazione e nel condizionamento dell'aria.

Costruzione del dispositivo: dispositivo di comando di tipo elettronico da incorporare.

Contentitore: autoestinguente grigio.

Dimensioni: 71,0 x 135,0 x 60,0 mm (2,795 x 5,314 x 2,362 in); 4 moduli DIN.

Le dimensioni fanno riferimento al dispositivo con tutti i connettori correttamente inseriti.

Installazione: su guida DIN 35,0 x 7,5 mm (1,377 x 0,295 in) o 35,0 x 15,0 mm (1,377 x 0,590 in).

Grado di protezione: IP20; IP40 il frontale.

Connessioni: connettori Micro-Fit maschio (alimentazione, ingressi, uscite analogiche e porta CAN) in **c-pro 3 EXP micro+**, morsettiere a molla estraibili maschio passo 3,5 mm (0,137 in; alimentazione, ingressi, uscite analogiche e porta CAN) per conduttori fino a 1,5 mm² (0,0028 in²) in **c-pro 3 EXP kilo+**, morsettiere a vite estraibili maschio passo 5,0 mm (0,196 in; uscite digitali) per conduttori fino a 2,5 mm² (0,0038 in²), connettore USB tipo "A" (porta USB).

Le lunghezze massime dei cavi di collegamento sono le seguenti:

- alimentazione dispositivo: 100 m (328 ft)
- ingressi analogici: 100 m (328 ft); utilizzare un cavo schermato solo in caso di lunghezze superiori o equivalenti a 10 m (32,8 ft) per: - gli ingressi analogici 7, 8 e 9
- i rimanenti ingressi se configurati per sonde PTC o Pt 1000

Lo schermo deve essere connesso alla massa solo in un punto.

- alimentazione trasduttori: 100 m (328 ft)
- ingressi digitali: 100 m (328 ft)
- uscita analogica di tipo PWM: 1 m (3,280 ft)
- uscite analogiche di tipo 0-20 mA / 4-20 mA / 0-10 V: 100 m (328 ft)
- uscite digitali (relè elettromeccanici): 100 m (328 ft)
- uscite digitali (relè allo stato solido): 100 m (328 ft)
- porta CAN:
 - 1.000 m (3.280 ft) con baud rate 20.000 baud
 - 500 m (1.640 ft) con baud rate 50.000 baud
 - 250 m (820 ft) con baud rate 125.000 baud
 - 50 m (164 ft) con baud rate 500.000 baud.

Si consiglia di utilizzare il kit di cablaggio CJAV18 (morsettiere a vite estraibili femmina passo 5,0 mm, 0,196 in, da ordinare separatamente), il kit di cablaggio CJAV19 (connettori Micro-Fit femmina cablati; per **c-pro 3 EXP micro+**, da ordinare separatamente) e il kit di cablaggio CJAV20 (morsettiere a molla estraibili femmina passo 3,5 mm, 0,137 in; per **c-pro 3 EXP kilo+**, da ordinare separatamente).

Temperatura di impiego: da -20 a 60 °C (da -4 a 140 °F).

Umidità di impiego: dal 10 al 95% di umidità relativa senza condensa.

Situazione di inquinamento: 2.

Alimentazione: 12 VAC, 50 / 60 Hz, 20 VA max., fornita da un circuito classe 2 in **c-pro 3 EXP micro+**; 24 VAC, 50 / 60 Hz, 35 VA max. o 20... 30 VDC, 12 W max, fornita da un circuito classe 2 in **c-pro 3 EXP kilo+**.

Proteggere l'alimentazione con un fusibile da 2A-T 250 V.

Categoria di sovratensione: III.

Ingressi analogici: 9 ingressi, di cui 6 configurabili via parametro di configurazione per sonde PTC / NTC / Pt 1000 / trasduttori 0-20 mA / 4-20 mA / 0-5 V raziometrici / 0-10 V e 3 configurabili via parametro di configurazione per sonde PTC / NTC / Pt 1000.

Alimentazione trasduttori raziometrici 0-5 V: 5 VDC, 60 mA max. Alimentazione trasduttori 0-20 mA / 4-20 mA / 0-10 V: 12 VDC, 120 mA max.

La somma delle massime correnti fornibili dai due circuiti di alimentazione è di 120 mA.

Campo di misura: da -50 a 150 °C (da -58 a 302 °F) per sonda PTC, da -50 a 120 °C (da -58 a 248 °F) per sonda NTC, da -100 a 400 °C (da -148 a 752 °F) per sonda Pt 1000.

Ingressi digitali: 9 ingressi optoisolati a 24 VAC / DC di cui 2 fino a 2 KHz e 7 a 50 / 60 Hz.

Risoluzione: 0,1 °C per sonde PTC / NTC, 0,1 °C per sonde Pt 1000, 0,01 mA per trasduttori 0-20 mA / 4-20 mA, 0,01 V per trasduttori 0-10 V.

Uscite analogiche: 6 uscite non optoisolate:

- 2 uscite configurabili via parametro di configurazione per segnale di tipo PWM / 0-10 V
- 2 uscite configurabili via parametro di configurazione per segnale di tipo 0-20 mA / 4-20 mA / 0-10 V
- 2 uscite per segnale di tipo 0-10 V

Uscite digitali: a seconda del modello:

- 9 uscite (relè elettromeccanici) di cui 7 da 3 A res. @ 250 VAC di tipo SPST (K1... K7) e 2 da 3 A res. @ 250 VAC di tipo SPDT (K8 e K9)
- 9 uscite di cui 7 relè elettromeccanici da 3 A res. @ 250 VAC di tipo SPST e 2 relè allo stato solido da 24 VAC/DC, 0,6 A max. (K8 e K9).

Tipo di azioni e caratteristiche complementari: 1B.

Porte di comunicazione: 2 porte non optoisolate:

- 1 porta USB OTG (per aggiornamenti)
- 1 porta CAN con protocollo di comunicazione CANbus.